

Quantum™ Pro

User Manual

Revision C



Table of Contents

Introduction.....	1
General Safety	2
Assembly and Inspection	3
Understanding the Controls	3
Head Assembly Controls	4
Operation	4
Manual Mode:	5
Manual Feed-to-Length (FTL) Mode	6
Auto Feed-to-Length (A-FTL) Mode	7
Quantum Magazine Loading (Fanfold Paper).....	9
Quantum Pro Stand Height Adjustment	11
Maintenance	12
Error Descriptions	13
Troubleshooting.....	14
Machine Specifications	15
Revision Table	18

LANGUAGES OF OPERATION DISCLAIMER

The original version of this manual is in English and denoted "Original Instructions" in the top center header. All translated versions are denoted "Translation of Original Instructions" in the same location.

Property of Pregis LLC

227 W Monroe St

Suite 4100

Chicago, IL 60606

United States of America

Authorized CE Representative

ACC – Services Contact

1877 Kirby Lane

Kyle, Texas 78640

United States of America

Introduction

The Quantum Pro dispenses recycled paper void fill both on demand and at predetermined lengths, as needed. These user-friendly systems save storage space and reduce packaging material waste while providing unmatched safety, reliability and enhanced ergonomic features that increase operator productivity.

QUANTUM PRO Paper Void Fill Material:

Item #	Formulation	Bundle Width	Bundle Length
4068969	30#	30-in	1,690-ft
4068622	30#	15-in	1,690-ft
4077694	45#	15-in	1,340-ft
4079017	50-gsm	750-mm	515-m
4079015	50-gsm	375-mm	515-m
4079016	70-gsm	375-mm	408-m
4074239	52-gsm	375-mm	515-m

1 General Safety

Operator safety and the safety of others in the work area depend on the operator using good judgment and reasonable care while utilizing the machine. This user manual and the warning labels affixed to the machine provide notification of specific potential hazards. Please read and understand the manual including all of the danger, warnings, and caution statements. If after reading the manual you have questions, contact your supervisor or your Pregis service technician to get answers before working with the machine.

1. Only authorized personnel may use the equipment.
2. Only trained authorized persons will carry out any adjustments, repairs, maintenance or cleaning with the equipment isolated from power supply and no longer in motion.
3. Never deface or remove factory installed warning decals. If a decal ever becomes lost, damaged, or illegible, report this condition to a supervisor and obtain a replacement decal from Pregis.
4. Keep the work area clean and uncluttered. Walking surfaces should always be free of packing material and debris to prevent a slipping or tripping hazard.
5. Ensure that all covers, guards and other safety devices are in place. NEVER defeat a safety device for any reason.
6. Follow the recommended procedures in this manual.
7. Never leave the equipment unattended while operating. Shut the machine off if you must leave the work area.
8. Keep body parts and clothing away from moving components. NEVER reach into the machine for any reason while it is in motion.
9. Understand proper material path and safe loading procedures.
10. Understand which adjustments are operator adjustments; contact maintenance person for all other adjustments.
11. DO NOT operate equipment if you are under the influence of alcohol, drugs or medications that can make you less alert or affect your judgment.

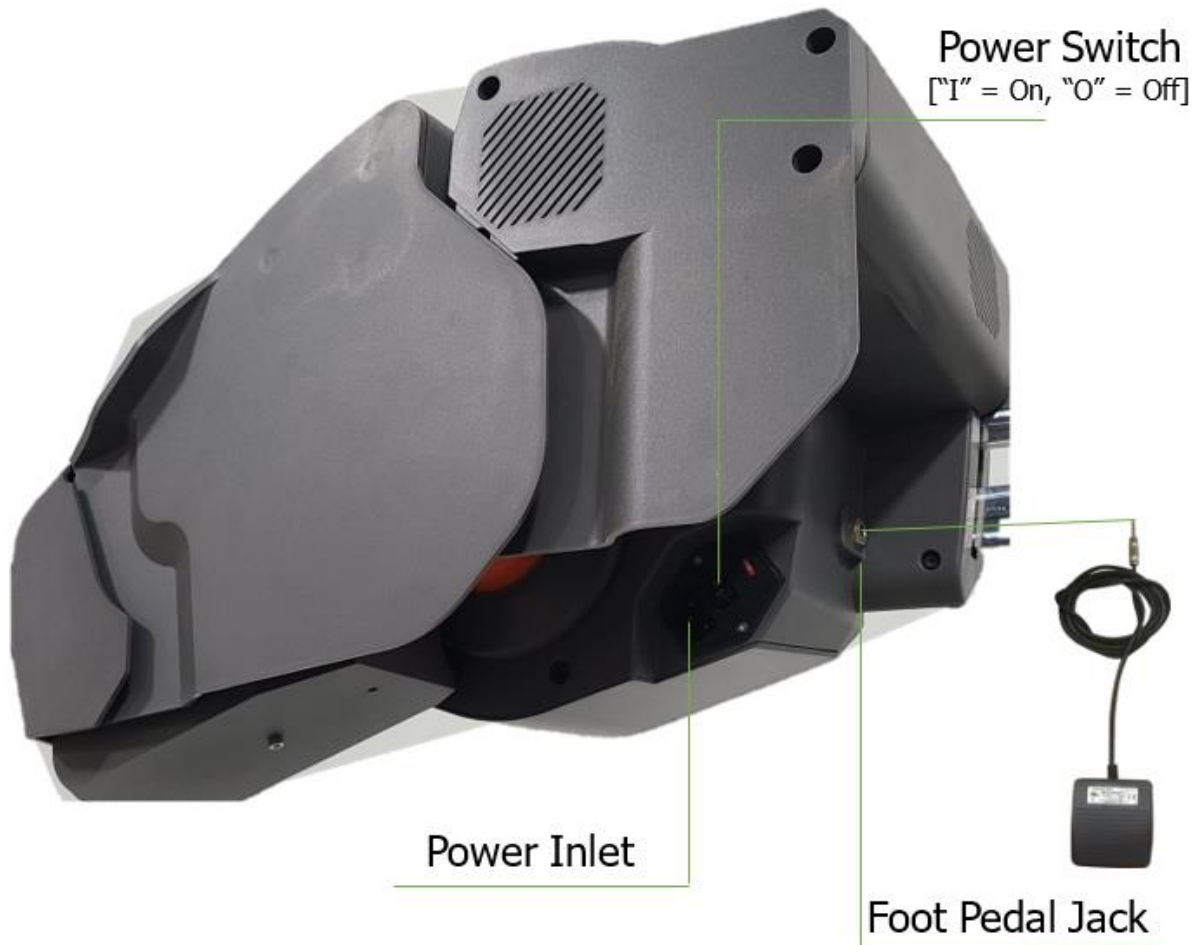
2 Assembly and Inspection

Parts to be assembled and inspected by Pregis technicians.

If machine requires maintenance or repair, contact Pregis Tech Service Hotline

3 Understanding the Controls

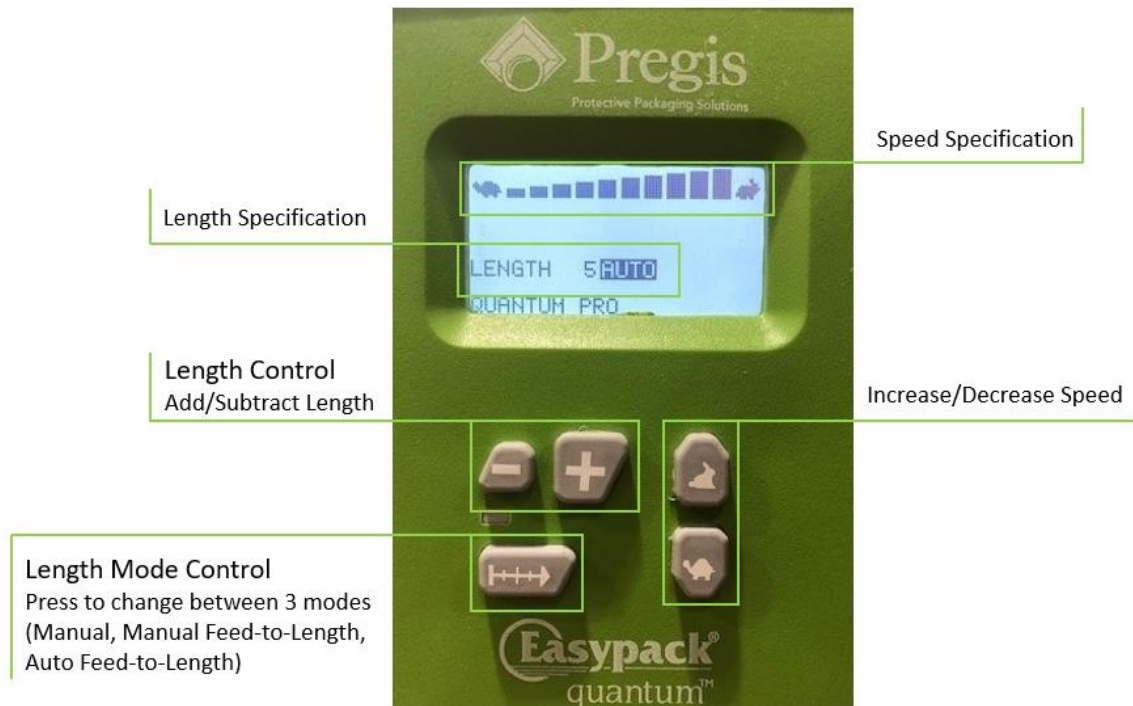
The Power Switch for the Quantum Series is used to turn the electrical power "ON" or "OFF" and is located on the right side of the head assembly, next to the power inlet.



When operating the Quantum Pro with a foot pedal, its functions include:

- Starting and stopping the machine (i.e. dispensing material)
- Manual Feed to Length (MFTL), Feed to Length (FTL), Auto-Feed to Length (A-FTL) functions
- Override for all modes of operation

3.1 Head Assembly Controls



4 Operation

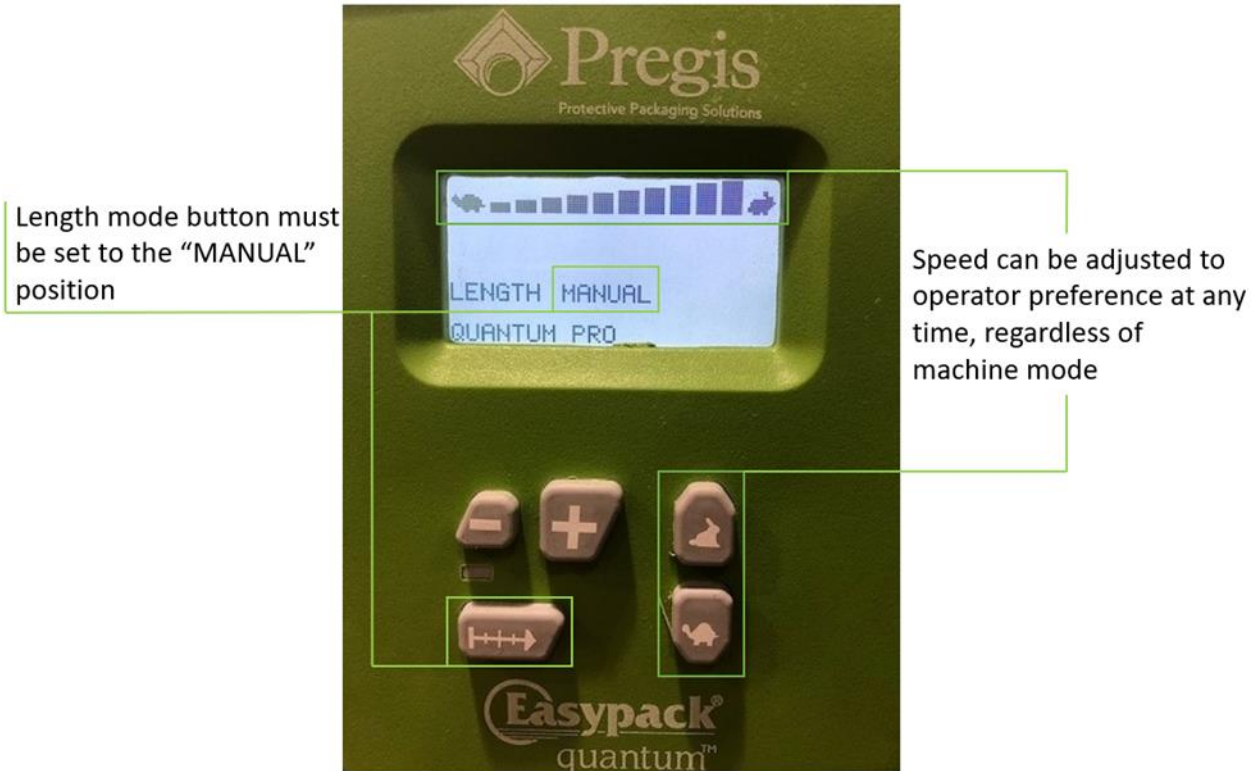
1. DO NOT attempt to defeat any safety feature.
2. DO NOT place any part of your person or foreign object into the drive.
3. DO NOT operate the machine if any part of your body becomes fatigued.
4. DO NOT operate the machine if you are under the influence of alcohol, drugs or medications that can make you less alert or affect your judgment.

Operating Modes:

- Manual Mode
- Manual Feed-to-Length (FTL) Mode
- Auto Feed-to-Length (A-FTL) Mode

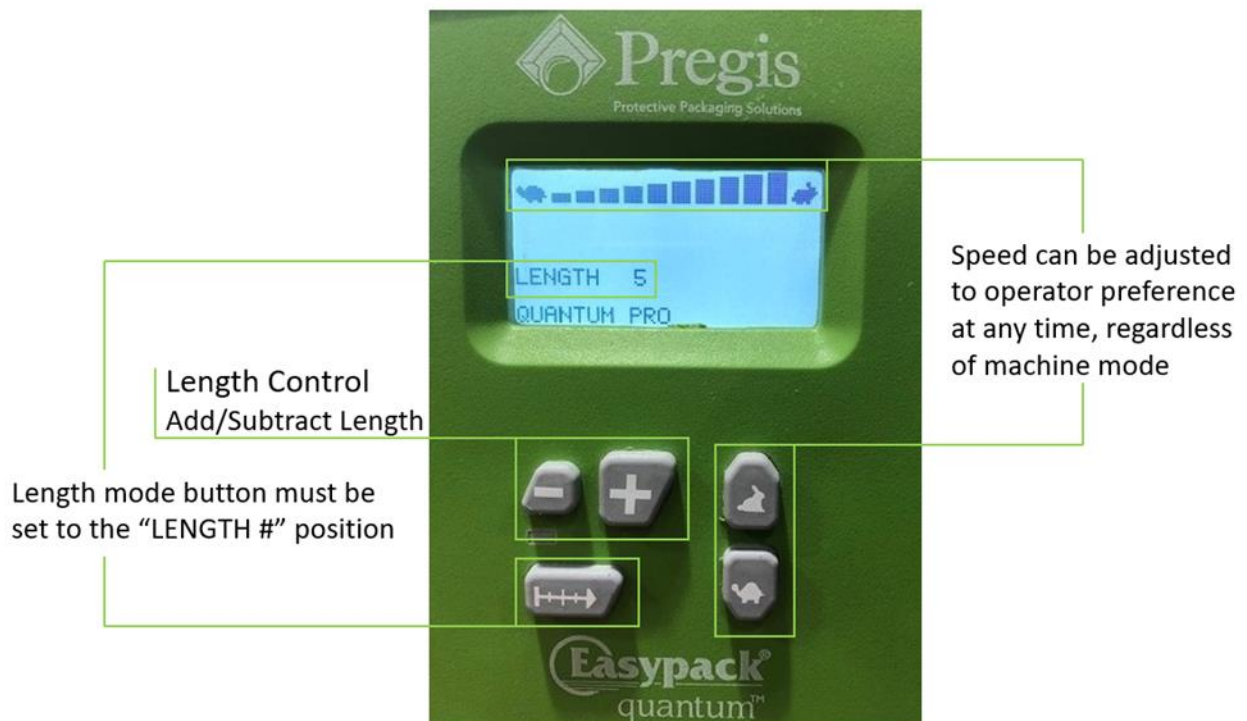
4.1 Manual Mode:

The manual setting allows the operator to dispense material using the foot pedal only. In this mode, machine speed can be adjusted to user preference as needed.



4.2 Manual Feed-to-Length (FTL) Mode

The manual feed-to-length (FTL) setting allows the operator to dispense a preset length of material by activating the foot pedal briefly (i.e. “tapping” the foot pedal). Once the foot pedal is “tapped” (activated briefly) the machine will dispense a preset length of material. The operator must repeat the process to receive additional, preset lengths of material. In this mode, the foot pedal also acts as an override. To receive a length of material greater than the preset length, press and hold the foot pedal until the desired length is received. The preset length can be adjusted (using the add/subtract buttons on head assembly) as needed.



4.3 Auto Feed-to-Length (A-FTL) Mode

The auto feed-to-length (A-FTL) setting allows the operator to dispense a preset length of material. Once the paper has been removed, the machine will automatically dispense and tear another preset length of material. This process will continue as long as the feature is active. The foot pedal also acts as an override in this mode. To receive a length of material greater than the preset length, press and hold the foot pedal until the desired length is received. The preset length can be adjusted (using the add/subtract buttons on head assembly) as needed.





5 Quantum Magazine Loading (Fanfold Paper)

1. Lock the front two casters and open the doors by lifting and pulling the knobs.



2. Load the first bundle of paper with the splice arrow facing you.
Note:

- The bundle should be touching the back wall of the magazine
- Bottom corners as necessary



3. Cut the sleeves inward with a strap cutter, pull the sleeves straight out holding the bundle with your other hand.



4. To connect paper bundles for continuous dispensing, see directions printed on labels of the paper bundle.

See label on
paper bundle
for details

5. Repeat that process up to 5 bundles high, then lift, rotate and close the doors, locking them in place.



6. Position the magazine squarely behind the machine and lock all 4 casters.



7. Open the upper roller assembly until it is completely vertical.



8. Crumple the top 2-3 feet of the paper bundle, tightly twist the end. Next feed it through the safety shrouding and up to the orange roller.



9. Pull the paper out and over the tear plate, then close the upper roller assembly.

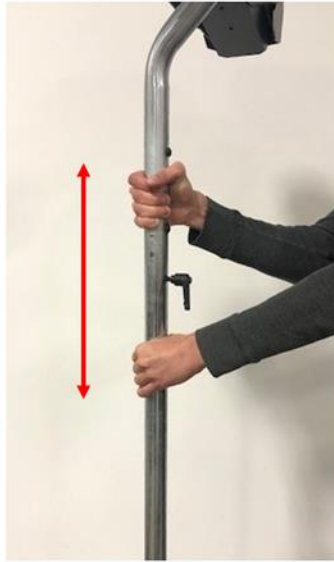


6 Quantum Pro Stand Height Adjustment

1. Loosen the center locking post screw.



2. Lift the pole up and or down to the desired height.



3. Tighten the center locking post screw.



7 Maintenance

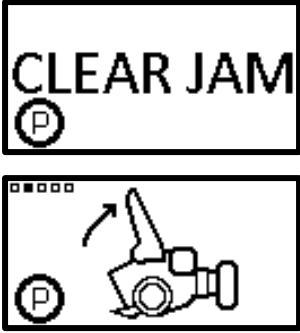
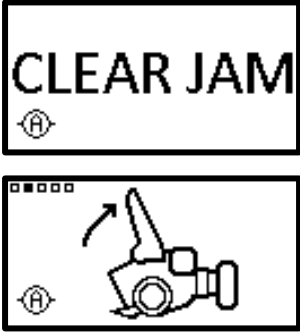
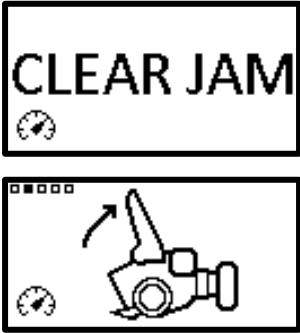
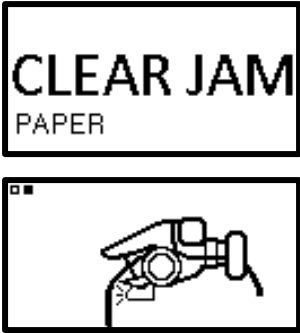
The Quantum Pro is designed to require little to no maintenance. The following recommended maintenance items will help keep the Quantum Pro operating correctly and minimize any down time on your packaging line. If there are any questions regarding the maintenance of the Quantum Pro, please contact your local Pregis Service Technician for assistance.

Disconnect the power cord before performing ANY maintenance to the machine other than inspections.

Monthly Maintenance:

1. Machine should be cleaned periodically to maintain a clean work environment.
2. Verify all components are working properly. If there are any issues, please contact your Pregis Service Technician.

8 Error Descriptions

Error Screen	Description	Troubleshooting
 <p>The error screen displays 'CLEAR JAM' with a 'P' icon. Below it is a diagram of the machine's paddle mechanism with an arrow pointing to the paddle and a 'P' icon.</p>	<p>Clear Jam – Paddle</p> <p>Occurs when the paddle does not reach the expected position.</p>	<p>Clear Paper</p> <p>While machine is off, open and close the front paddle, then power cycle machine</p>
 <p>The error screen displays 'CLEAR JAM' with an 'A' icon. Below it is a diagram of the machine's duckbill mechanism with an arrow pointing to the duckbill and an 'A' icon.</p>	<p>Clear Jam – Overcurrent</p> <p>Occurs when the machine draws too much current over a specified time period.</p>	<p>Open and close duckbill</p> <p>Power machine off, unplug and replug in the power cord, power on the machine</p>
 <p>The error screen displays 'CLEAR JAM' with an 'O' icon. Below it is a diagram of the machine's drive roller mechanism with an arrow pointing to the roller and an 'O' icon.</p>	<p>Clear Jam – Odometer</p> <p>Occurs when the orange drive roller does not spin.</p>	<p>While the machine is off, open the duckbill, manually rotate the orange drive roller, close the duckbill, power on the machine</p>
 <p>The error screen displays 'CLEAR JAM' with 'PAPER' below it. Below it is a diagram of the machine's paper sensor mechanism with an arrow pointing to the sensor and a 'P' icon.</p>	<p>Clear Jam – Paper</p> <p>Occurs when the paper sensor does not detect paper during the dispense cycle.</p>	<ul style="list-style-type: none"> • Clear any paper that is obstructing the paper sensor located on the front of the machine, below the paddle • Switch operating mode to FTL mode, switch back to AFTL <p>This error only occurs when operating in AFTL mode</p>

*Open and close duckbill to clear error messages. If errors persist, call Pregis Tech Service Hotline

9 Troubleshooting

Problem	Cause	Solution
Machine will not power on	Loose or broken connection to the power inlet module Breaker has been tripped Blown Fuse	Re-plug in power cord and ensure there are no nicks in the wire Reset facility circuit breaker; confirm no other equipment is running on the same line Call Pregis Service
Machine is powered but will not run	Foot pedal cables are not connected properly Sensor is covered by paper	Verify cable connections Ensure sensors are unobstructed Call Pregis Service
Paper not tearing	Maintenance required.	Call Pregis Service
Upper roller assembly keeps popping up while running material	Magnet block assembly not properly adjusted	Call Pregis Service

If problems persist, call Pregis Tech Service Hotline

10 Machine Specifications

Machine Weight: 44 lbs (20.41 kg)

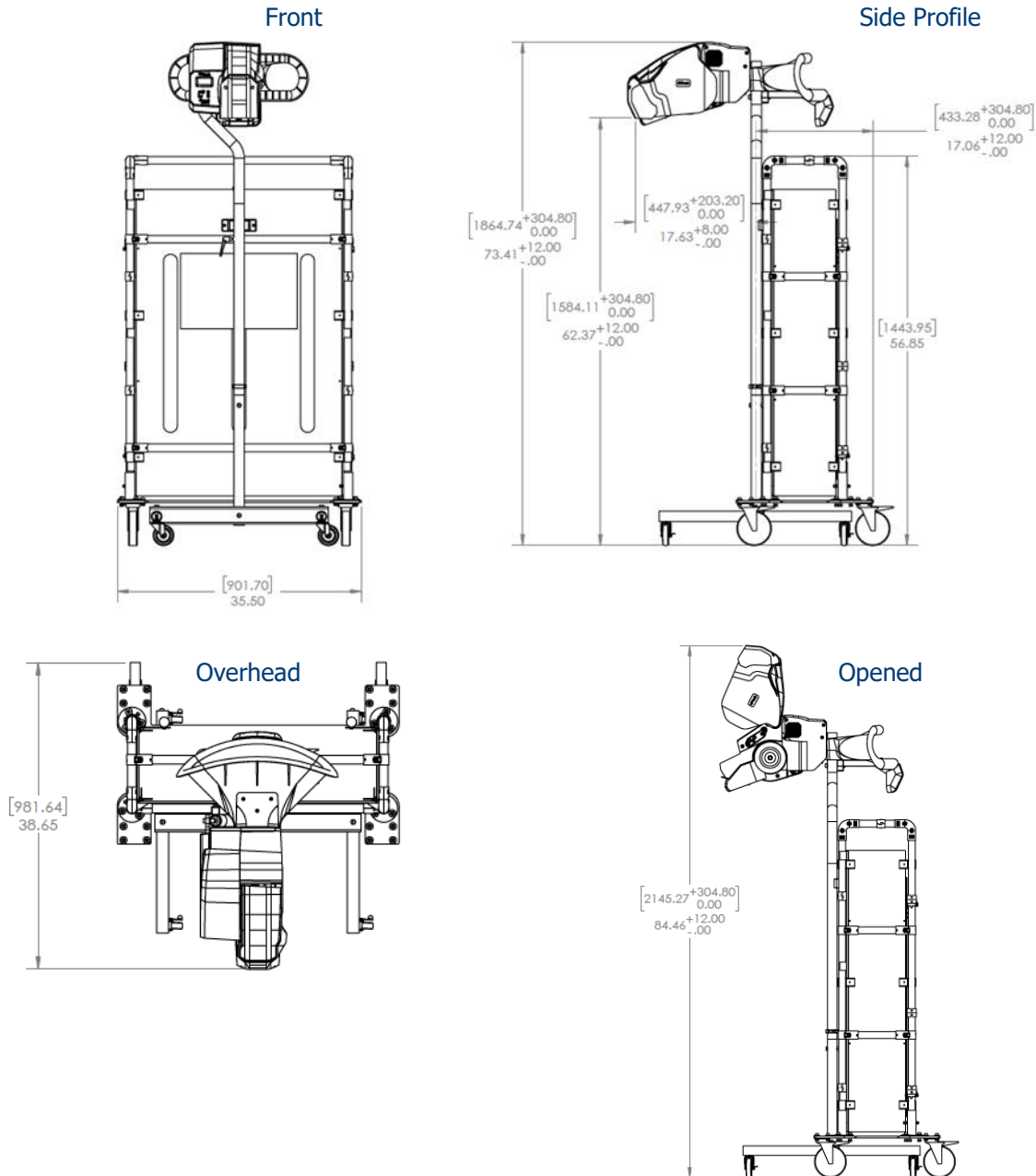
Machine and Floor Stand: 69 lbs (31.75 kg)

Magazine Weight (Un-loaded): 95 lbs (43.09 kg)

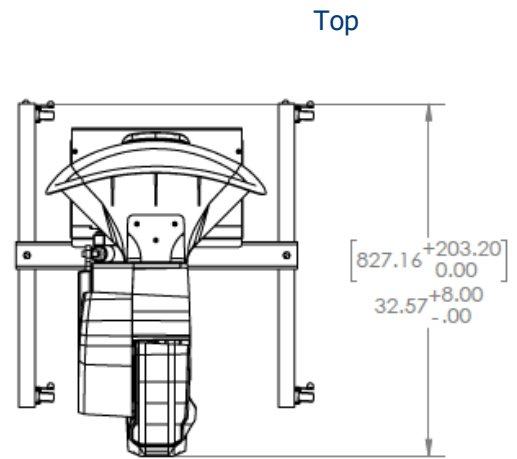
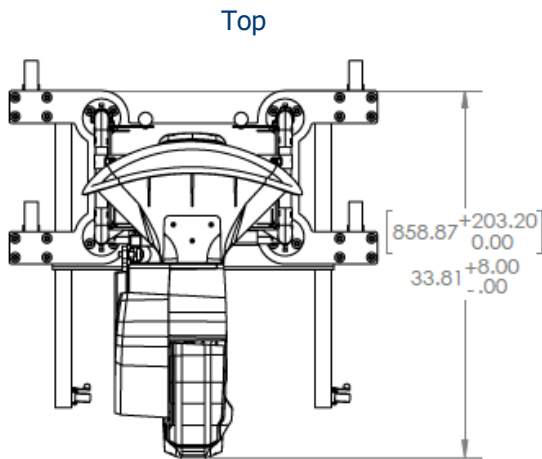
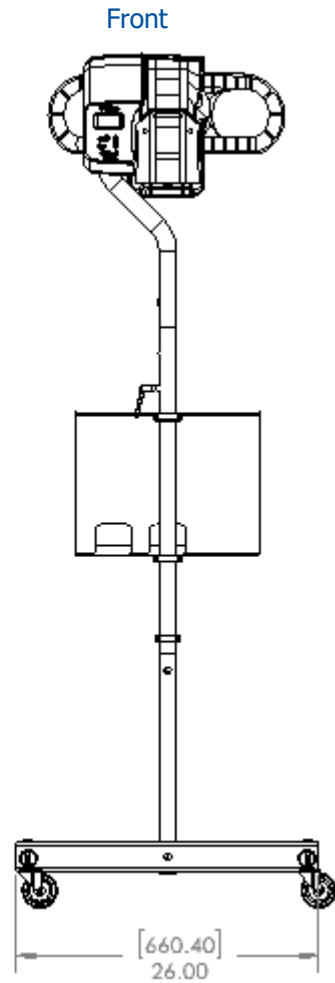
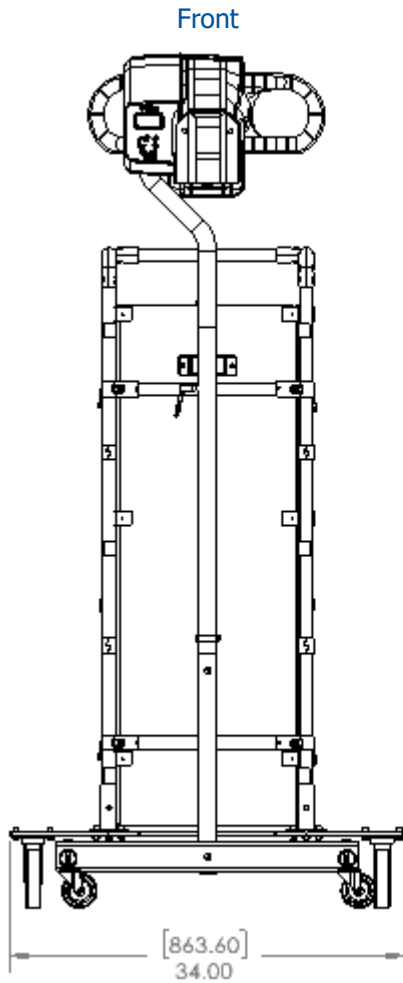
Power Requirements: 120/230 VAC, 60/50 Hz, 3.3/1.3 A

Sounds Pressure Level Leq: 73.5 dB(A)

30" Magazine Overall Dimensions



15" Magazine and Tray Reference Dimensions



11 Revision Table

REV	REV BY	DATE	ECN DESCRIPTION	ECN NUMBER
A	RV	02 NOV 2022	INITIAL RELEASE	
B	RV	03 NOV 2022	UPDATED ERROR DESCRIPTIONS (PAGE 13)	
C	RV	07 FEB 2023	UPDATED FORMATTING	EC-1812